



## Kalmar lighting since 1881

**For 130 years** architects and design professionals have sought Kalmar to produce bespoke lighting. Thanks to namesake Julius August Kalmar's values of design and fabrication excellence, almost immediately after the company's 1881 launch it presented celebrated custom cast-bronze works at Gewerbe Ausstellung Wien, in 1888, and the World's Columbian Exposition in 1893.

**Julius Theodor Kalmar** took the business in a new direction. A student at the Vienna school of applied arts under Josef Hoffmann, the founder's son introduced Kalmar to the most progressive movements in decorative arts. By 1925 he was selling designs in Josef Frank and Oskar Wlach's influential avant-garde furnishings shop Haus und Garten. Six years later, Kalmar was making luminaires based solely on Austrian Werkbund schemes.

As an advocate of burgeoning modernism and an exemplar of collaboration and quality, Kalmar played a significant role in this era of design. The company realized lighting concepts for Werkbund members like Frank and Wlach, Clemens Holzmeister, Oswald Haerdtl, Ernst Plischke, and Oskar Strnad. Installations in its Stock Exchange, Opera, and Burgtheater made Kalmar synonymous with a new Viennese aesthetic, generally a marriage of industry and handcraft that was stripped of ornament, reverent toward materials, and honest about construction.

Moving beyond a view of its lighting as humble fixtures intended as background, in the 1960's Kalmar began producing decorative glass objects of many scales, which increased demand for the company's products exponentially. In the 1990's, fourth-generation owner Thomas Calice ceased production of stock inventory, returning Kalmar to its bespoke roots.

Through Calice's leadership Kalmar's renown continues to expand. In this period it has installed myriad chandeliers and other custom luminaires, in a variety of meticulously executed styles, in international landmarks that include the presidential palace of the Kremlin, RMS Queen Mary 2, and Burj Khalifa, as well as Ritz-Carlton, W Hotels, Hilton, Shangri-La, and Sheraton properties spanning three continents.

## Kalmar Werkstätten

Kalmar Werkstätten celebrates the historic lighting manufacture Kalmar. The lamps, chandeliers, and sconces of Kalmar are accomplished works of the secession and Wiener Werkstätten that resulted from the intimate working relationships between second-generation company owner Julius Theodor Kalmar and great talents including Josef Hoffmann and Adolf Loos. They exemplify Austrian modernism's directness of form, honest expression of industry and craftsmanship, and dedication to time-honored materials.

Today Kalmar, collaborates with a choice group of emerging and established talent, **Kalmar Werkstätten** is releasing light fixtures from the Kalmar archive that are adapted for today's residential and commercial interiors.

**KALMAR®**  
WERKSTÄTTEN



Keule 5

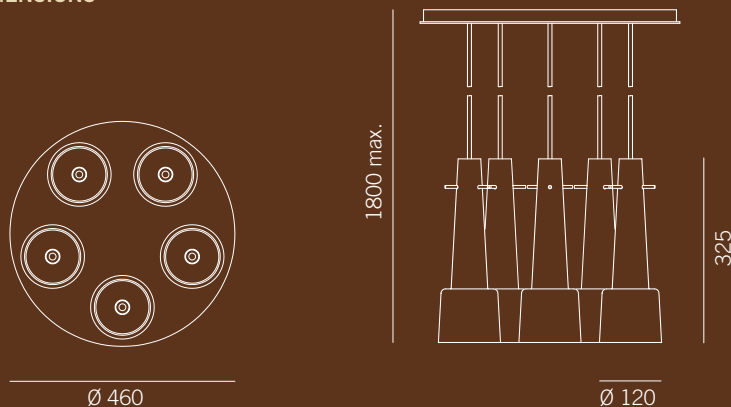


Leaded Crystal

### KEULE 5 Pendant

The Keule suspended luminaire is available in 1 | 2 or 5 pendants, in several versions. Each pendant is a tapered unit terminating in a bell shape. The frosted opalglass and embossed-crystal cones are fitted with three pins; the transparent crystal cone does not require pins. A blackened-bronze attachment ring may encircle any pendant, and the frame is finished in that treatment or in matte black lacquer.

### DIMENSIONS



### MATERIAL OPTIONS

#### Metal

Black Bronze with Highlighted Edges  
Matt Black Lacquer

#### Shade

Satin Opal | Hammered Crystal | Leaded Crystal

#### Cable

Black Textile

#### Electrical Specifications

5 x G9 40W

#### Weight

9.3 kg | 9.3 kg | 19.8 kg

#### Accessory

Cast Ring in Black Bronze with Highlighted Edges

©2008 These designs are the exclusive property of J.T. Kalmar GmbH and may not be copied or adapted for this or any other use without express written permission